

RNG – 50P

50W Polycrystalline Solar Panel



Key Features

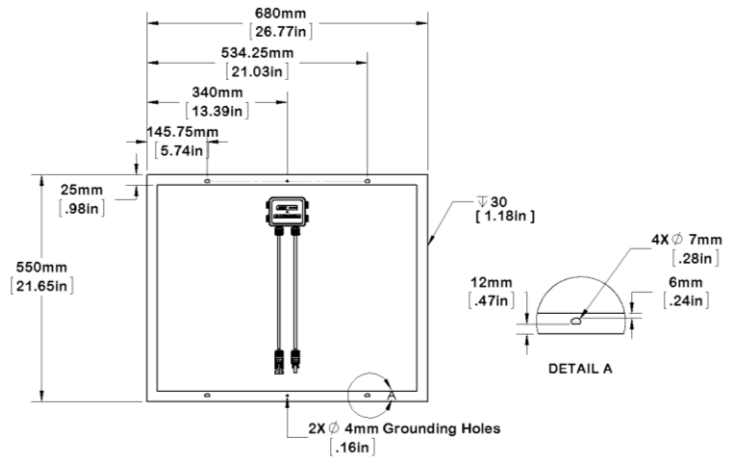
- Top Ranked PTC Rating
- High Module Conversion Efficiency
- Fast and Inexpensive Mounting
- Maximizes System output by reducing mismatch loss
- 100% EL testing on all Renogy Modules, Guaranteed no Hot Spots



Electrical Characteristics

Maximum Power at STC (Pmax)	50 W
Optimum Operating Voltage (Vmp)	17.8 V
Optimum Operating Current (Imp)	2.8 A
Open Circuit Voltage (Voc)	22.4 V
Short Circuit Current (Isc)	2.95 A
Maximum System Voltage	600 VDC (UL)
Maximum Series Fuse Rating	15 A
STC: Irradiance 1000W/m ² , Temperature 25°C, AM =1	

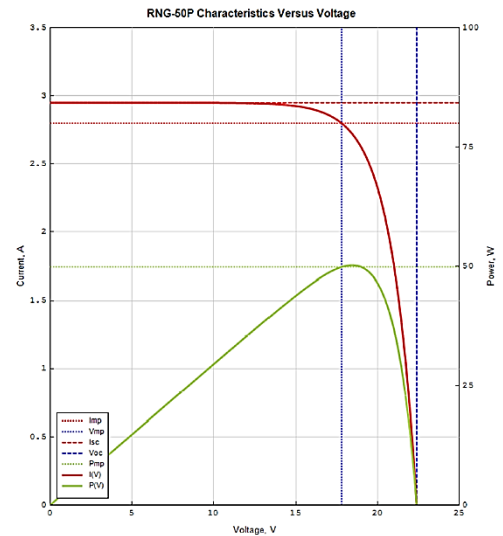
Module Diagram



Mechanical Properties

Solar Cell	Polycrystalline (156 x 52)
# of Cells	36 (4 x 9)
Dimensions	550 x 680 x 30 mm (21.6 x 26.7 x 1.2 in)
Weight	5 kgs. (11 lbs.)
Front Glass	3.2 mm (0.13 inches) Tempered Glass
Frame	Anodized Aluminum Alloy
Junction Box	IP65 Rated
Output Cables	4.0 mm ² (0.006 in ²), 724mm (28.5 in)
Connectors	MC4 Connectors
Fire Rating	Class C

IV-Curve



Temperature Characteristics

Operating Module Temperature	-40°C to +80°C
Nominal Operating Cell Temperature (NOCT)	47±2°C
Temperature Coefficient of Pmax	-0.44%/°C
Temperature Coefficient of Voc	-0.30%/°C
Temperature Coefficient of Isc	0.04%/°C

