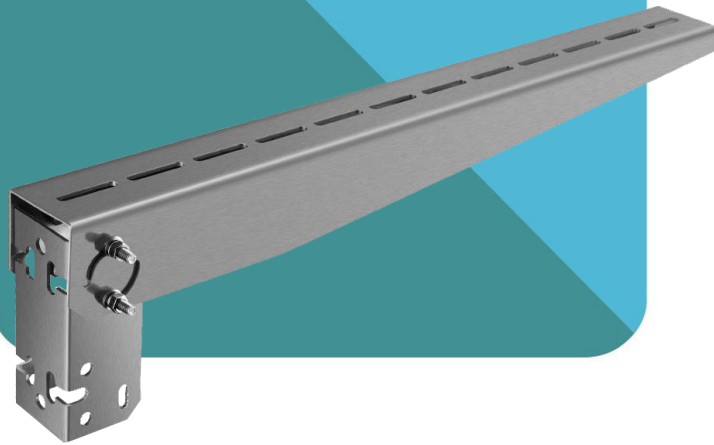


## MTS-WM

RENOGY Wall Mount System



2775 E Philadelphia St, Ontario, CA 91761  
1-800-330-8678

## **Important Safety Instructions**

Please save these instructions.

This manual contains important safety, installation, and operating instructions for the Renogy Wall Mount System. The following symbols are used throughout the manual to indicate potentially dangerous conditions or important safety information.

 **WARNING:** Indicates a potentially dangerous condition. Use extreme caution when performing this task.

**CAUTION:** Indicates a critical procedure for safe and proper operation of the system.

**NOTE:** Indicates a procedure or function that is important to the safe and proper operation of the system.

### **General Safety Information**

- Read all of the instructions and cautions in the manual before beginning the installation.
- Do **NOT** attach solar panel to pole mount until mount is securely fit, and pole base has been secured.
- Chance to strip nuts and bolts exists.
- Multiple people for installation is suggested.
- Do **NOT** substitute parts from other manufacture ring sources, doing so may void the warranty and/or result in an unstable system
- This system is **NOT** possessing any compliance with residential structural codes and should not be used in place of a system that is, if so required by local regulations

### **Installer Responsibilities**

- Installation compliance with any applicable codes which are in force at the installation site
- Installation compliance and compatibility with all system components and the environment including but not limited to roofing, system components, etc.
- Verification that all project information is accurate

**WARNING:** This equipment should be installed, adjusted, and serviced by qualified electrical maintenance personnel familiar with the construction and operation of the equipment and the hazards involved. Failure to observe this precaution may result in bodily injury. Protective gloves and safety glasses should be worn during installation.

## Table of Contents

<b>General Information</b> .....	4
<b>Identification of Parts</b> .....	5
<b>Installation</b> .....	7
Attach the Fixed Bracket and Tilt Arm.....	8
Attach the Panel to the Wall Mount.....	10
Install the Wall Mount on Wall.....	11
Install the Wall Mount on Pole .....	13
<b>Wall Mount Dimensions</b> .....	14
<b>Compatibility</b> .....	15

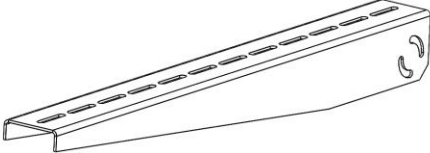
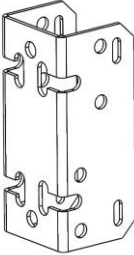

## General Information

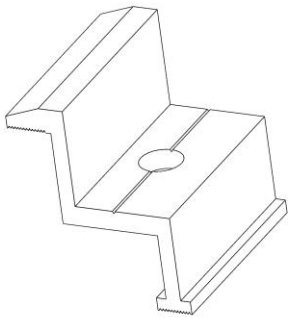
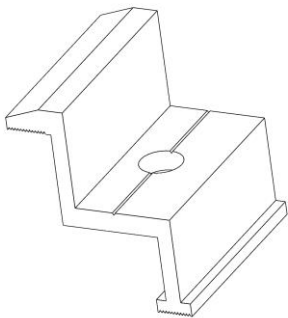
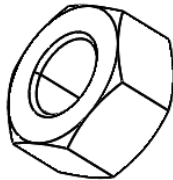
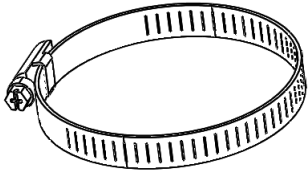
The Renogy Wall Mount System is designed for off-grid applications, when mounting on a roof is not applicable. It supports Renogy solar panels up to 50W. The system comes complete with all fasteners to secure the system to the installation surface. This system makes the installation of small solar systems easy, affordable and quick.

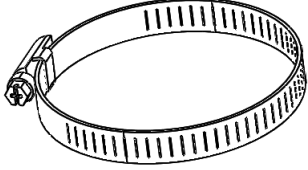
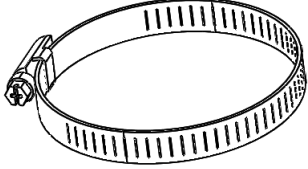
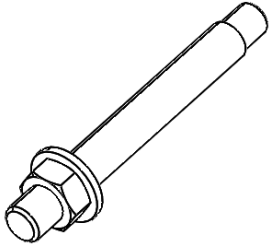
### **Key Features**

- 5052-H32 aluminum construction
- Stainless steel fasteners
- High-tensile strength
- Corrosion Free
- Attractive brushed aluminum finish
- Precision hole positioning and alignment
- Easy, rapid assembly
- Well-illustrated instructions

## Identification of Parts

Image	Component	Quantity
 A long, thin, tapered metal arm with a series of small rectangular slots along its length and a hook-like end.	<b>Tilt Arm (A)</b>	1
 A rectangular metal bracket with four mounting holes and two sets of L-shaped tabs on opposite sides.	<b>Fixed Bracket (B)</b>	1
 A standard hexagonal head T-bolt with a threaded shaft.	<b>M8 T-Bolt (C)</b>	8
 A flat, circular metal washer with a central hole.	<b>M8 Washer (D)</b>	12
 A coiled metal spring washer with a central hole.	<b>M8 Spring Washer (E)</b>	8

	<p><b>End Clamp (F1)</b></p>	<p>2</p>
	<p><b>End Clamp (F2)</b></p>	<p>2</p>
	<p><b>M8 Nut (G)</b></p>	<p>8</p>
	<p><b>Hose Clamp (H1)</b> 2.6 to 3.5 in.</p>	<p>2</p>

	<p><b>Hose Clamp (H2)</b> 3.3 to 4.3 in.</p>	<p>2</p>
	<p><b>Hose Clamp (H3)</b> 4.1 to 5.0 in.</p>	<p>2</p>
	<p><b>Expansion Bolt (I)</b></p>	<p>2</p>

**Table 1**

## Installation

**Recommended tools to have before installation (Not provided):**

- Socket wrench
- Torque extension
- Box-Leveler
- Tape Measure
- 18mm wrench or socket for larger hex nut
- 13mm wrench or socket for smaller hex nut

The above tools and equipment are highly recommended to have available to assist with installation but are in no way a comprehensive list of tools that can ease installation. Installers feel free to substitute comparable equipment where appropriate.

Attach the Fixed Bracket and Tilt Arm

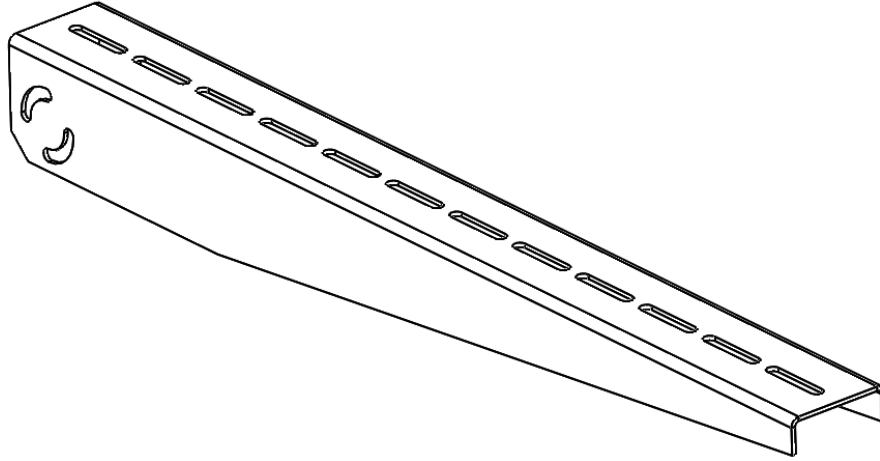


Figure 1

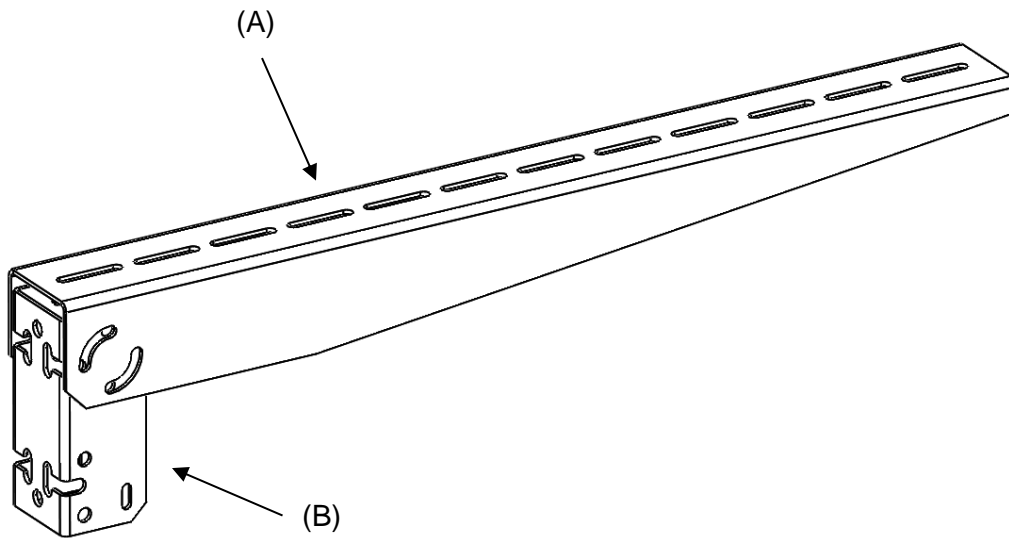


Figure 2



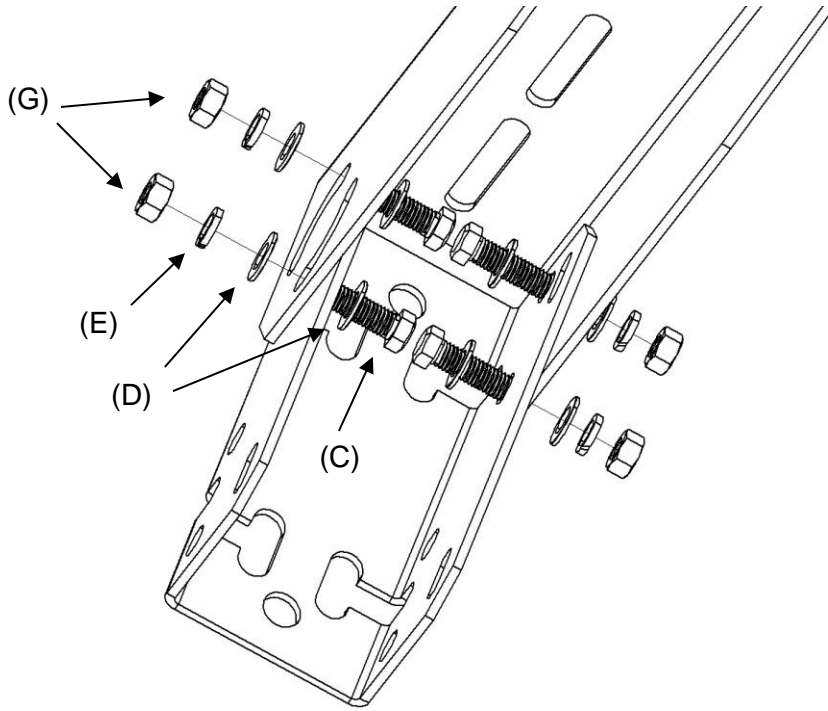


Figure 3

**Note:** M8 Washer (D) and M8 Spring Washer (E) are essential parts when tightening M8 Nut (G), over tightening may damage parts

**Note:** Adjust tilt arm (A) and fixed bracket (B) to desired angle prior to tightening M8 Nut (G)

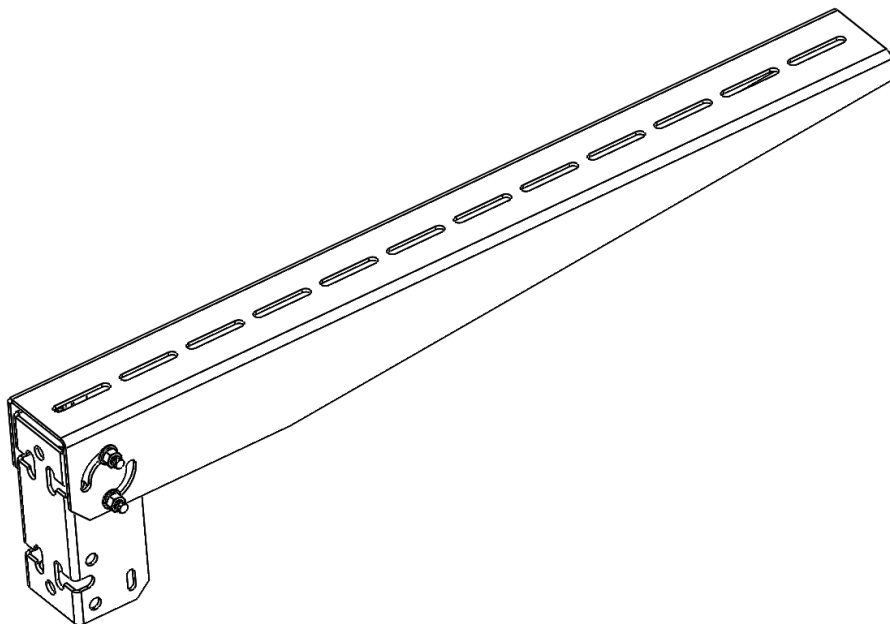


Figure 4

Attach the Panel to the Wall Mount

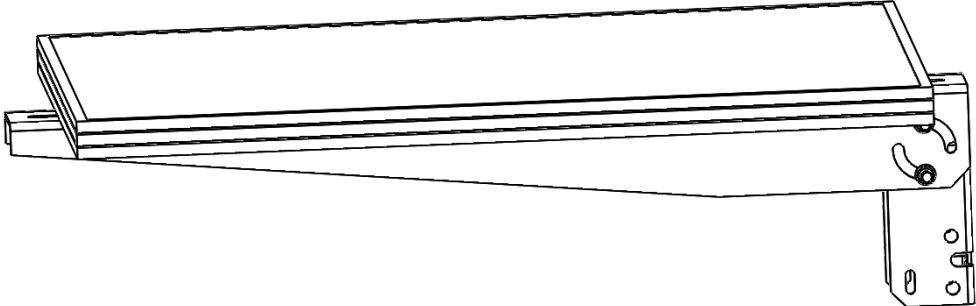


Figure 5

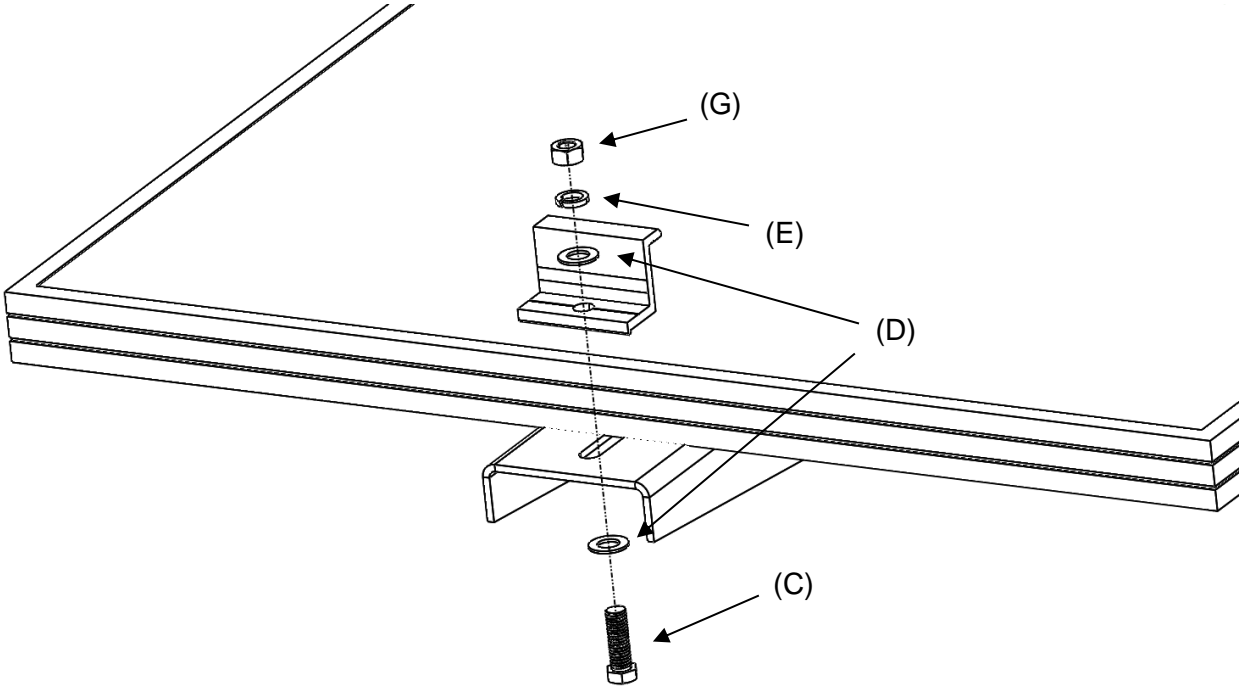


Figure 6

**⚠ WARNING! Keep hands clear of pinch points!**

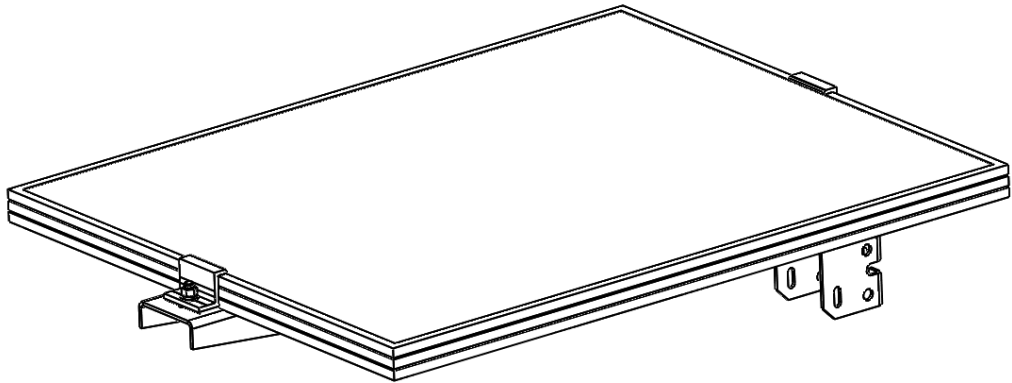


Figure 7

**NOTE:** This is what the clamp should look like when it is fastened to the panel.

**Install the Wall Mount on Wall**

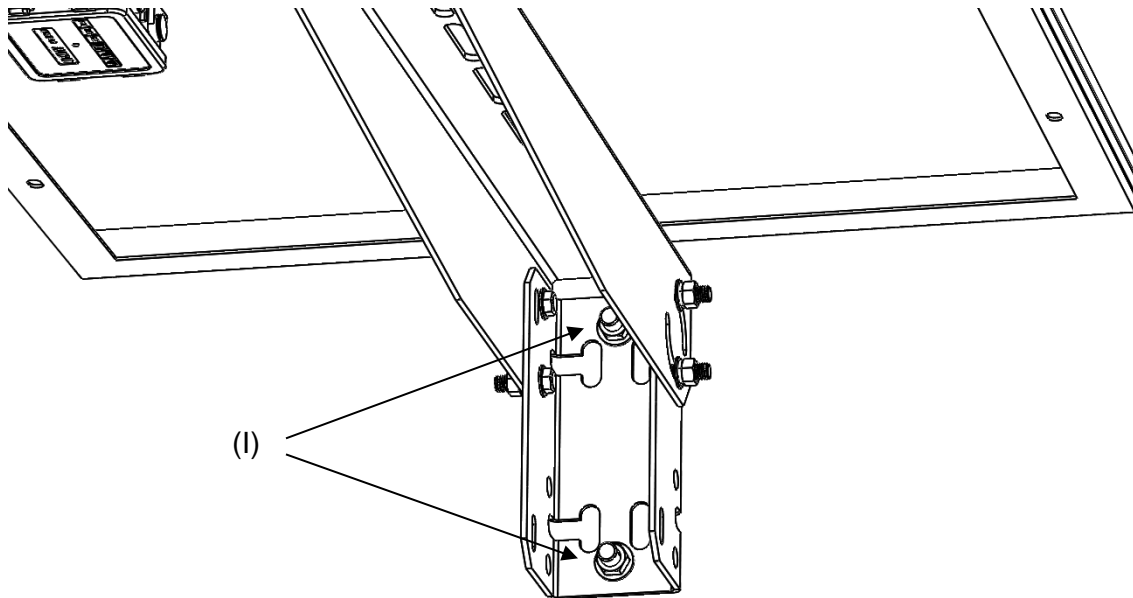
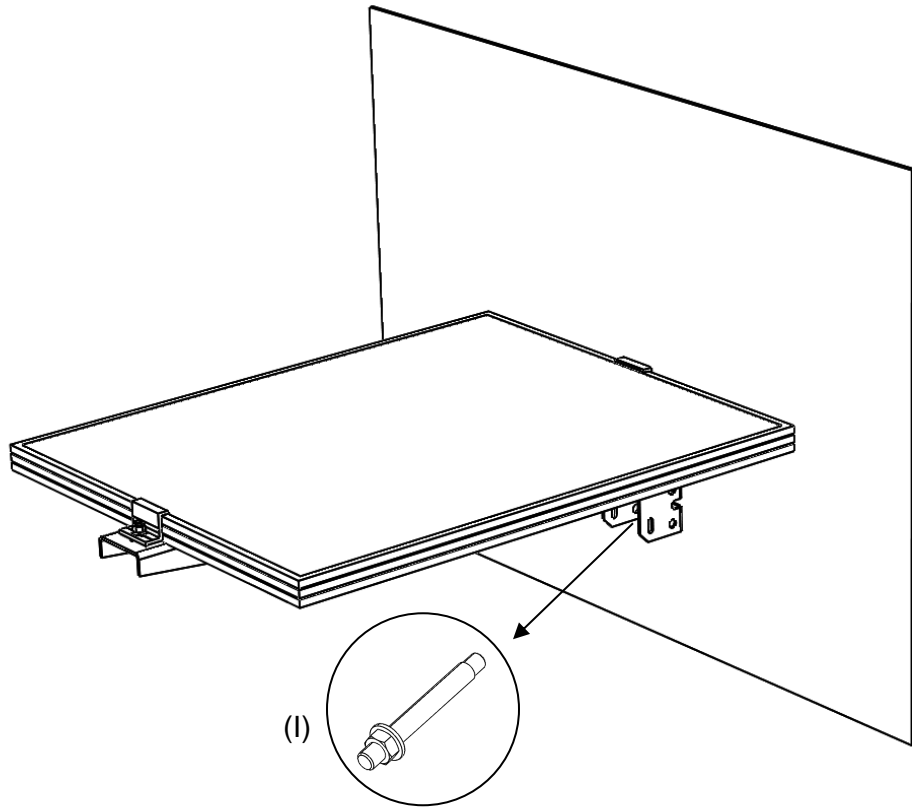


Figure 8

**NOTE:** Please check the direction of Fixed Bracket (B) prior to installation.



**Figure 9**

**NOTE:** Please use proper tool for this installation. Installation process may require assistance.

## Install the Wall Mount on Pole

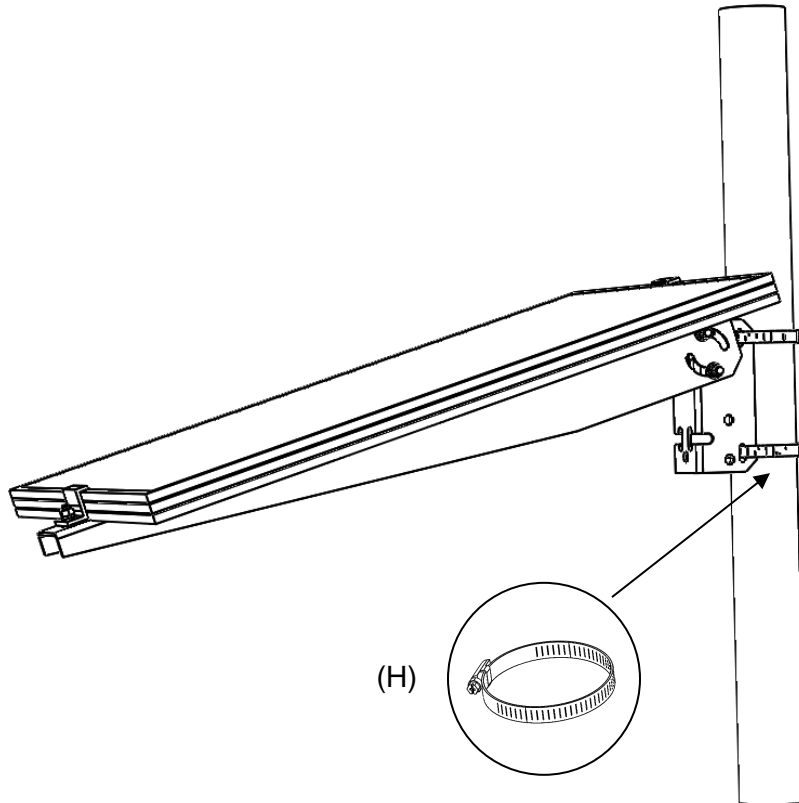


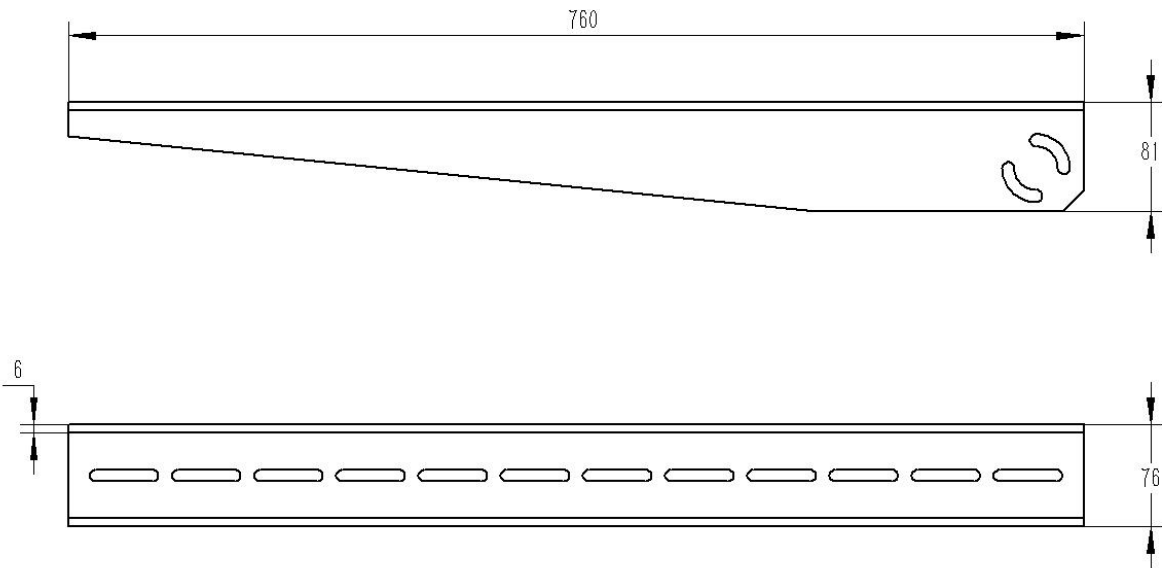
Figure 10

**NOTE:** Please check the direction of Fixed Bracket (B) prior to installation. Choose appropriate Hose Clamp (H) size for installation.

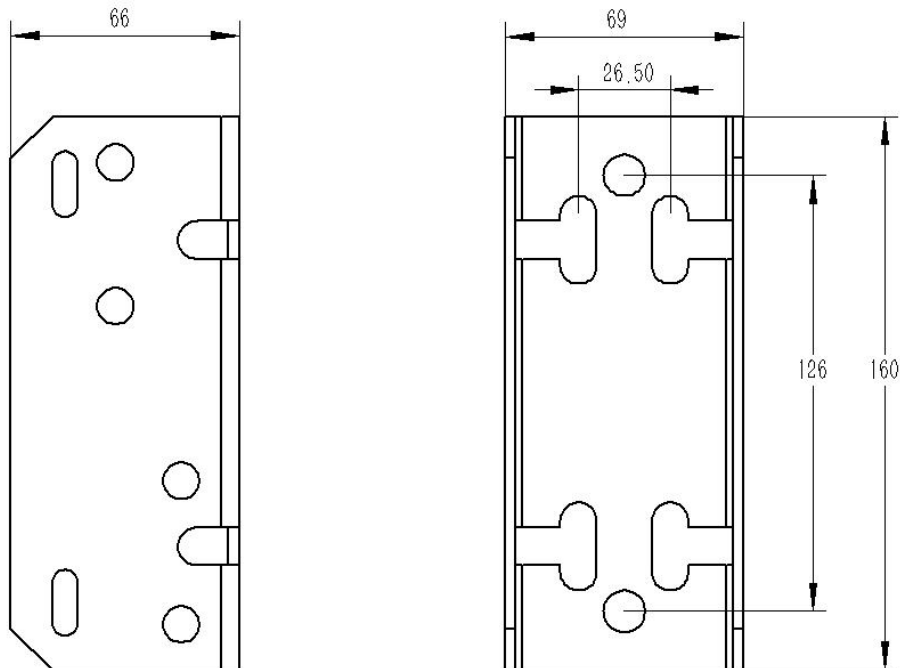
**NOTE:** Please use proper tool for this installation. Installation process may require assistance.

## Wall Mount Dimensions

### Tilt Arm (A)



### Fixed Bracket (B)



**NOTE: Dimensions in inches.**

## Compatibility

<b>RENOGY Solar Module</b>	<b>Compatibility*</b>
RNG-10D	COMPATIBLE
RNG-10D-SS	COMPATIBLE
RNG-20D	COMPATIBLE
RNG-30D	COMPATIBLE
RNG-30D-SS	COMPATIBLE
RNG-50D	COMPATIBLE
RNG-50D-SS	COMPATIBLE
RNG-80D-SS	INCOMPATIBLE
RNG-100D	INCOMPATIBLE
RNG-100D-S	INCOMPATIBLE
RNG-100D-SS	INCOMPATIBLE
RNG-100D-SSP	INCOMPATIBLE
RNG-100MB	INCOMPATIBLE
RNG-100D-R	INCOMPATIBLE
RNG-160D-SS	INCOMPATIBLE
RNG-300D	INCOMPATIBLE
RNG-50P	COMPATIBLE
RNG-100P	INCOMPATIBLE
RNG-160P	INCOMPATIBLE
RNG-270P	INCOMPATIBLE
RNG-320P	INCOMPATIBLE

Renogy reserves the right to change the contents of this manual without notice.