

RENOGY MTS-STM

Small Tilt Mount



Table of Contents

General Information	02
Compatibility	02
Identification of Components	03
Installation	04
Dimensions	09

General Information

The Renogy Small Tilt Mount will support various mounting applications. It is specifically designed for Renogy 10-20-30W panels and can be mounted on any flat surface. This mount allows some adjustment of the panel's angle for optimum performance. The angle adjustability is dependent on the panels themselves, with bigger panel sizes decreasing angle adjustability.

Key Features

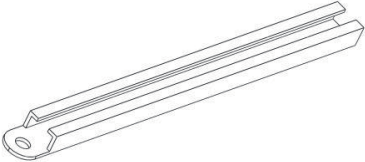
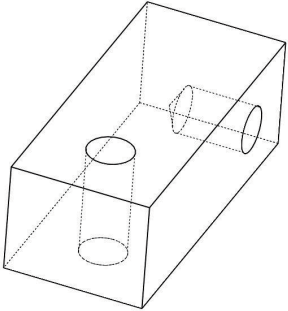
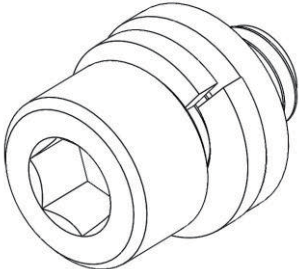
- Aluminum construction
- Stainless steel fasteners
- High-tensile strength
- Corrosion Free
- Precision hole positioning and alignment
- Easy, rapid assembly

Compatibility

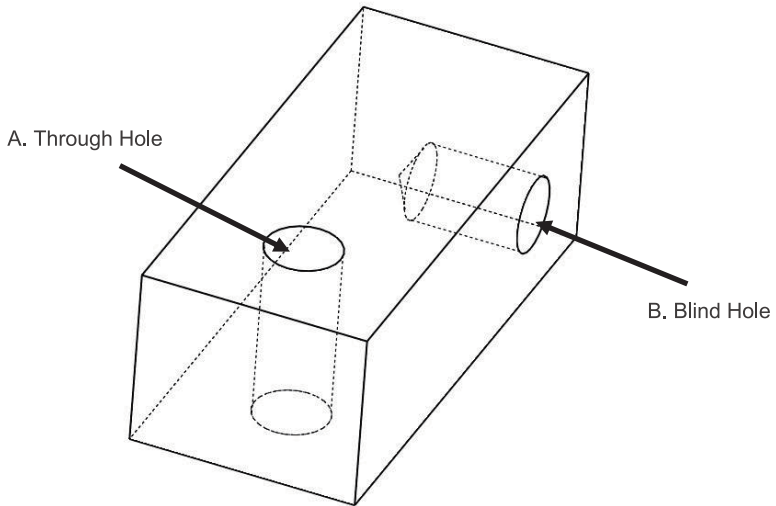
This set of tilt mount can be used on RNG-10D, RNG-20D and RNG-30D small panels.

It's incompatible with other panels sold under RENOGY.

Identification of Components

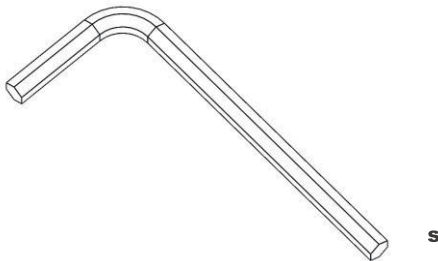
Part	Part Name	Quantity
Support Rod		2
Fixing Block		2
M6 x 10 Socket Head Cap Screw with washers		4

Installation



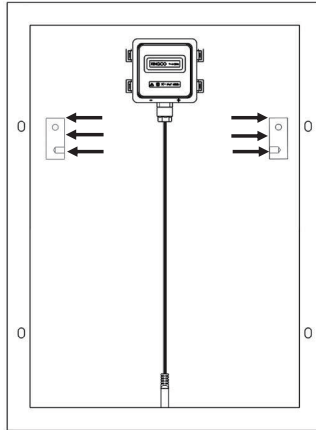
Recommended Tools (Not provided)

5mm Hex Key

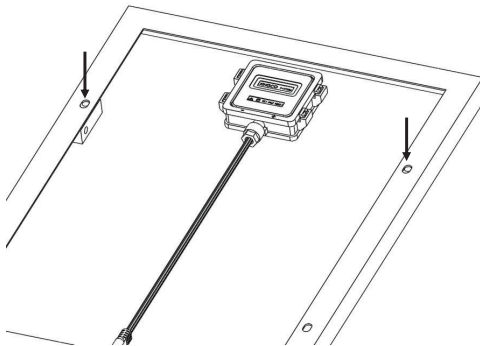


Mating fixing blocks to panel frame

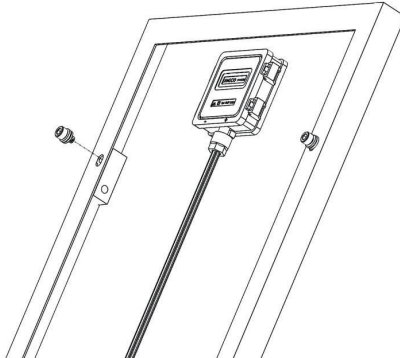
- A. Place panel face down to expose mounting holes.
- B. Insert the two fixing blocks under the panel frame at two sides.
Place the blind holes face inside the panel



- C. Align the through holes of fixing blocks to the mounting holes on panel frame

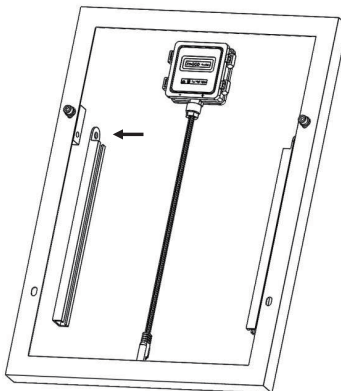


D. Insert the 10mm M6 socket head cap screws through the panel frame into the through holes of fixing blocks. And set the fixing blocks onto panel frame.

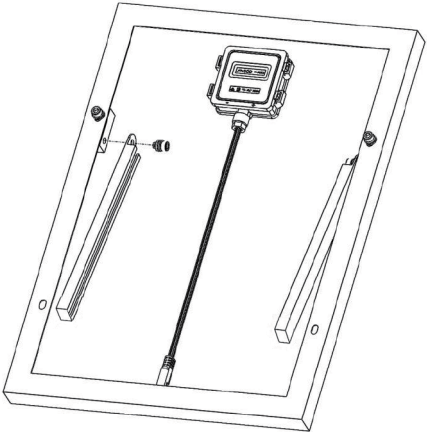


Installing the support rods

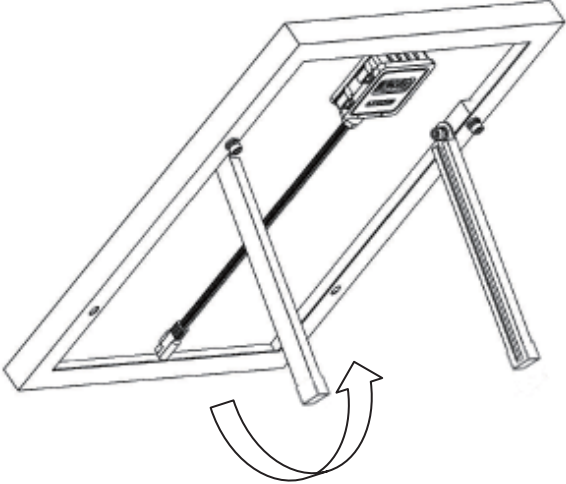
A. Align the installation holes of support rods to blind holes of fixing blocks. Place the groove face inside the panel



B. Insert the 10mm M6 socket head cap screws through installation holes of support rods and into the blind holes of fixing blocks

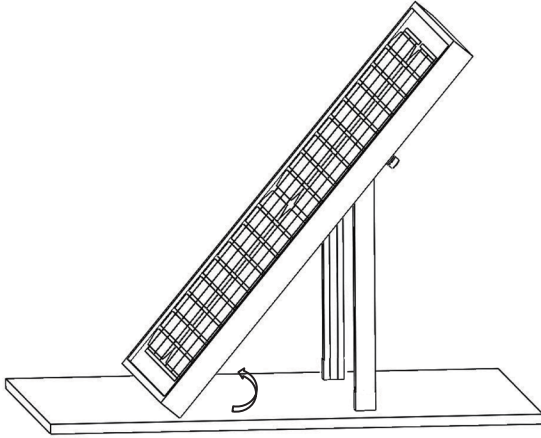


Adjusting the tilt angle



Angle adjustability

NOTE As the solar panel size grows, the angle freedom minimizes.



Maximum Angle°

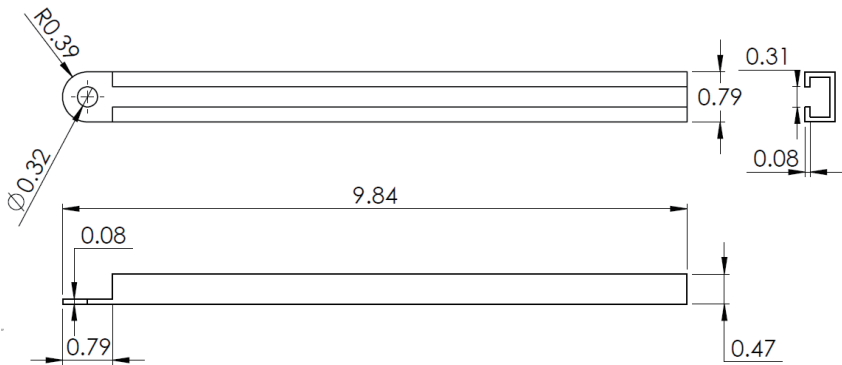
The solar panel is set at the maximum tilt angle when the support rod is normal to the ground.

Panel Models	Minimum Angle°	Maximum Angle°	Degree of Freedom
RNG-10D	0	60	60
RNG-20D	0	45	45
RNG-30D	0	35	35

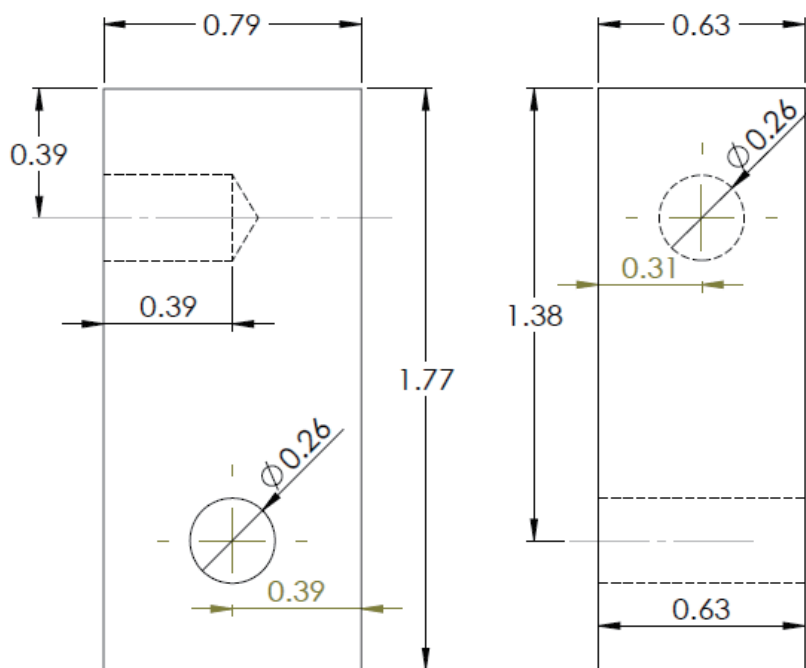
Dimensions

NOTE

The following drawings utilize inches as their dimension units.



Support Rod



Fixing Block



2775 E. Philadelphia St., Ontario, CA 91761

1-800-330-8678

Renogy reserves the right to change the contents of this manual without notice.